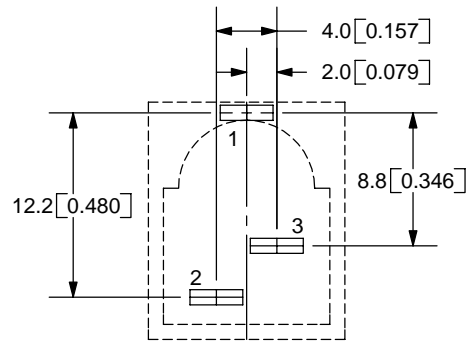
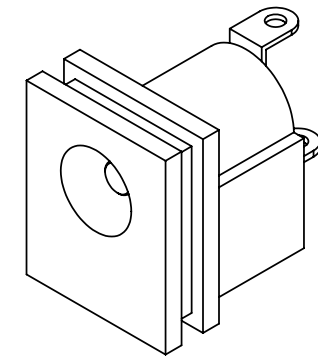
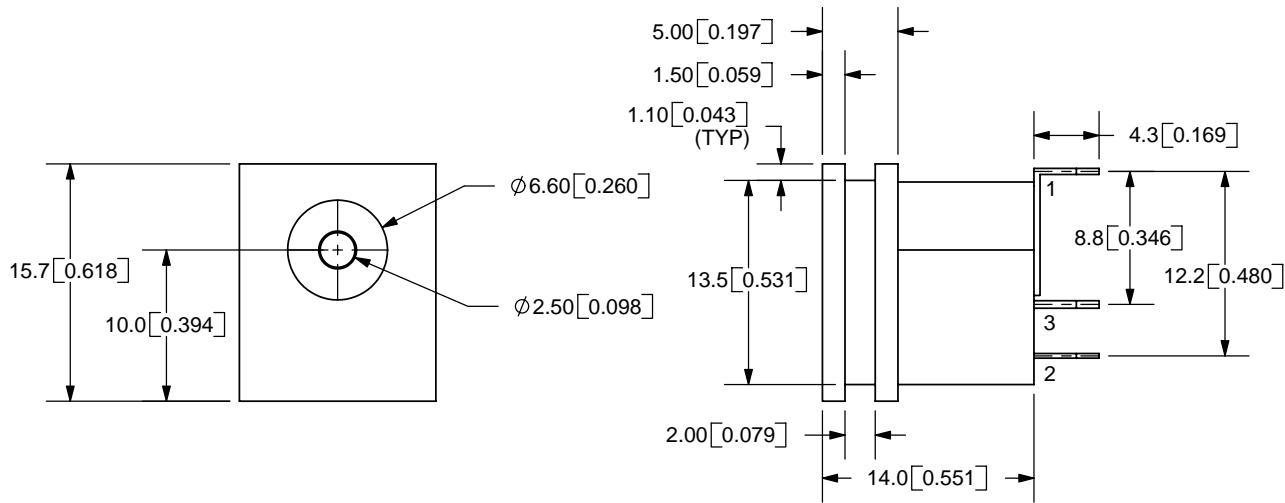
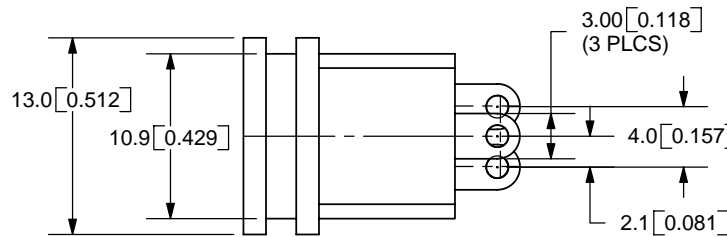


REV.	DESCRIPTION	DATE
A	NEW DRAWING	11/8/2005



PCB LAYOUT
FRONT VIEW



TOLERANCE:
X.X ±0.2mm
X.XX ±0.1mm
X.XXX ±0.05mm



MODEL NO.	PJ-009B
SCHMATIC	

CENTER PIN DIAMETER 2.5mm Dia.

SPECIFICATIONS:
 RATING: 16V DC @ 2.5A
 CONTACT RESISTANCE: 30m OHMS MAX
 INSULATION RESISTANCE: 50M OHMS MIN: 500V DC
 VOLTAGE WITHSTAND: 500V AC R.M.S. FOR 1 MINUTE
 LIFE: 5,000 CYCLES

	MATERIAL	PLATING
CENTER PIN	Copper	Nickel
TERMINAL 1	Brass	Tin
TERMINAL 2	Copper	Tin
TERMINAL 3	Brass	Tin
HOUSING	PBT	



9615 SW Allen Blvd., Ste. 103
 Beaverton, OR 97005
 Phone: 503-643-4899
 800-275-4899
 Fax: 503-372-1266
 Website: www.cui.com

TITLE: DC POWER JACK	REV: A
PART NO. PJ-009B	UNITS: MM [INCHES]
DRAWN BY: ZRJ	APPROVED BY:
	SCALE: 2:1

PC FILE NAME:
PJ-009B

COPYRIGHT 2006 BY CUI INC.